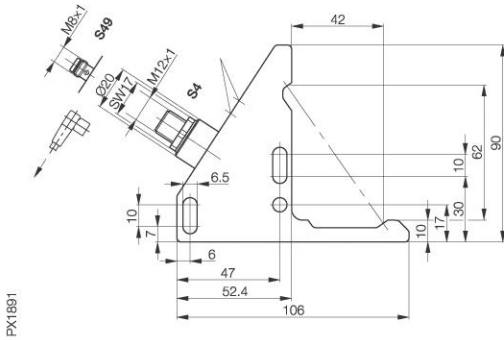


Photoelectric Sensor
BWL 4260A-001-S49
Sn=mm
Angular light barrier



Common Data

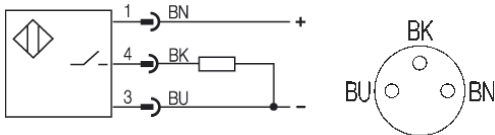
Series	BWL
Sensortype	Angular light barrier
Switching frequency	1000 Hz
Indication Supply Voltage	yes, green LED
Indication Switching element on	yes, yellow LED
Ambient temperature	-10...+60°C
On-delay	=0,5ms
Off-delay	<0,5ms
Light	Infrared, 880nm
Permissible ambient light	5000 Lux
Output function	dark-on
Distance opt. Axis in x	~ 42
Distance opt. Axis in y	~ 62
On-time delay	100ms

Mechanical Data

Measurements	90x106x10,7
Shock	30gn, 11ms
Vibration	10...2000Hz, 1 mm/30 g, 15 h
Housing material	steel, corrosion-resistant
Material of sensing face	PMMA
Degree of protection	IP67
Connection	Connector S49 (M8,3-pin)
Weight	150g
Recommended connector	BKS-_19/BKS-_20
Light spot diameter	3mm

Electrical Data

Current	DC
Switching function	normally-open
Output	PNP
Rated operational voltage Ue	24V DC
Rated operational current Ie	200mA
Supply Voltage	10...30V DC
Ripple	< 15% from UB
Frequency of Supply Voltage	DC
No-load supply current	<35mA
Voltage drop	<2,5V
Short protection	yes
Protected against polarity reversal	yes
Rated insulation voltage	75V DC
Output resistance	33 kOhm
max. Load capacity	<0,5µF



Utilization categories
 Insulation class

DC 13
 II

Datasheet number:

Definitions see general catalog.
 If not otherwise noted, ratings according to
 IEC 60947-5-2 (DIN EN60947-5-2)

Balluff GmbH
 Schurwaldstrasse 9
 73765 Neuhausen a.d.F.
 Phone (07158) 173-0 Fax (07158) 5010

Datenblatt by CD-ROM - 04/2007

